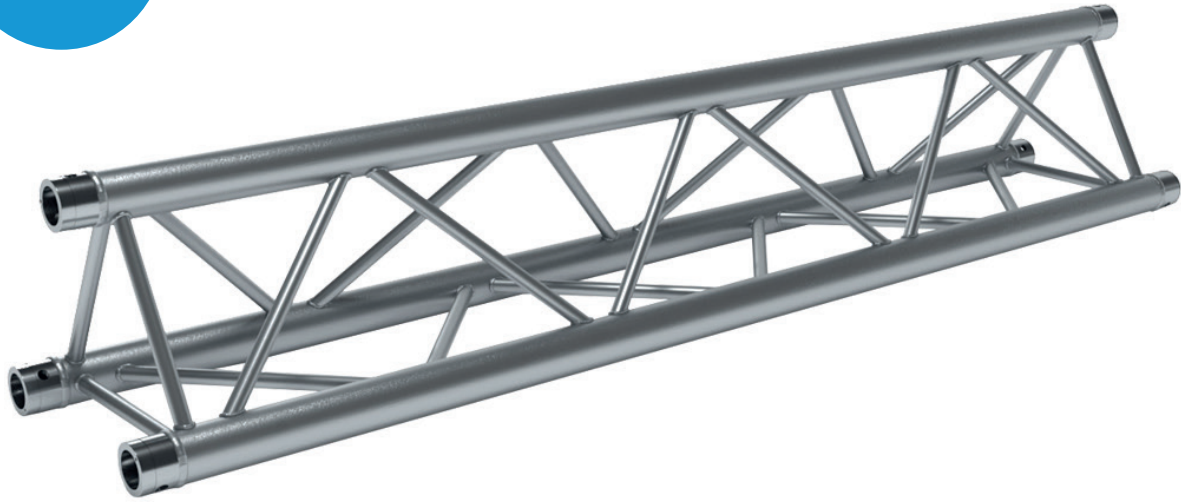




NX33 TRIANGLE Truss

Heavy Duty
48.3x3 mm



NX33 TRIANGLE

The NX33 truss is made of main tubes (48.3 x 3 mm) and brackets (16 x 2 mm). It is our mid-sized triangular stage truss that is extremely versatile.

Equipped with the NX6 conical coupling system, the NX33 truss is quick and easy to assemble.

Triangular trusses are mostly used for permanent installation or decorating purposes. The NX33 is mainly designed for use in the installation, rental and exhibition market. But it is also a popular choice for many other purposes and applications.

NX33 truss also has a series of corners and accessories.

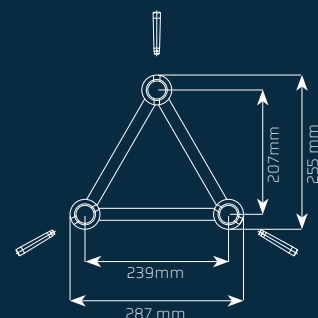
THE ESSENTIALS

- Fast and easy assembly
- Light weight system
- TÜV Approved
- Versatile application
- Cross bracing
- 4-point nodes

Technical specifications

Height	255 mm	10.03 in
Width	287 mm	11.29 in
Size Main Tube	48.3 x 3 mm	1.90 x 0.11 in
Size Bracing	16 x 2 mm	0.62 x 0.08 in
Weight	~4.5 kg/mtr	~32.54 lb/ft
Pin Position	Vertical/Diagonal	
Coupling System	NX6	
Alloy	EN AW 6082 T6	

Diagram





NX33 TRIANGLE Truss

Metric Loading Charts

Span	UDL		CPL		1/3 Point load		1/4 Point load		1/5 Point load	
m	kg/m	mm	kg	mm	kg (2x)	mm	kg (3x)	mm	kg (4x)	mm
2	791.9	1.8	1420.8	2.7	791.9	2.5	527.39	2.3	395.9	2.2
3	526.6	6.2	943.8	6	707.8	7.6	471.9	7.1	393.2	7.5
4	352.1	13.3	704.2	10.6	528.2	13.5	352.1	12.6	293.4	13.4
5	223.9	20.7	559.7	16.7	419.7	21.2	279.8	19.7	233.2	20.9
6	154.2	29.9	462.6	24.1	346.9	30.5	231.3	28.4	192.7	30.1
8	84.9	53.2	339.7	43.1	254.8	54.3	169.9	50.7	141.6	53.6
10	52.9	83.4	264.3	68	198.3	85.1	132.2	79.6	110.1	84
12	35.5	120.5	212.7	99.2	159.5	122.9	106.4	115.2	88.6	121.4
14	25	164.7	174.7	136.9	131	167.8	87.3	157.7	72.8	165.8

Imperial Loading Charts

Span	UDL		CPL		1/3 Point load		1/4 Point load		1/5 Point load	
ft	lbs/ft	in	lbs	in	lbs (2x)	in	lbs (3x)	in	lbs (4x)	in
6.6	532	1	3132	1	1746	1	1163	1	873	1
9.8	354	2	2081	2	1560	3	1040	3	867	3
13.1	237	5	1552	4	1164	5	776	5	647	5
16.4	150	8	1234	7	925	8	617	8	514	8
19.7	104	12	1020	9	765	12	510	11	425	12
26.25	57	21	749	17	562	21	375	20	312	21
32.81	35.5	32.8	582.7	26.8	437.2	33.5	291.5	31.3	242.7	33.1
39.37	23.9	47.4	468.9	39.1	351.6	48.4	234.6	45.4	195.3	47.8
45.93	16.8	64.8	385.1	53.9	288.8	66.1	192.5	62.1	160.5	65.3

- High values of distributed loads are idealized. Loads must be applied to node points!
- Full loading tables are available on request.