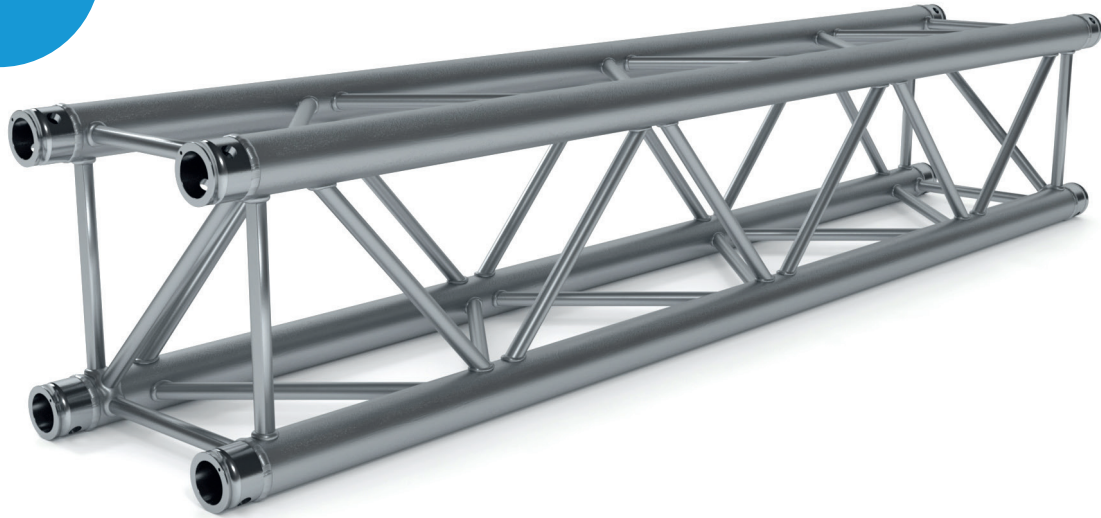




# NX34 SQUARE Truss

Heavy Duty  
48.3x3 mm



## NX34 SQUARE

The NX34 Square truss is engineered from main tubes (48.3 x 3 mm) and braces (16 x 2 mm). It is our mid-sized square stage truss that is extremely versatile.

Equipped with the NX6 conical coupling system, the NX34 truss is fast and easy to assemble.

The NX34 truss can be found in rental fleets all over the globe, where its optimum strength and flexible application possibilities make it well-loved and much used.

NX34 truss also has a series of corners and accessories.

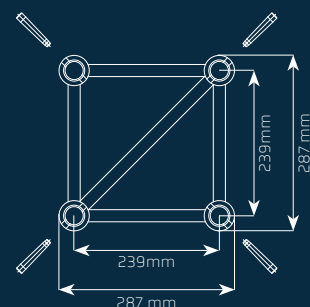
## THE ESSENTIALS

- Fast and easy assembly
- Light weight system
- TÜV Approved
- Can be used as a tower truss
- Cross bracing
- 4-point nodes

### Technical specifications

Height	287 mm	11.29 in
Width	287 mm	11.29 in
Size Main Tube	48.3 x 3 mm	1.90 x 0.11 in
Size Bracing	16 x 2 mm	0.62 x 0.08 in
Weight	~6.2 kg/mtr	~44.84 lb/ft
Pin Position	Diagonal	
Coupling System	NX6	
Alloy	EN AW 6082 T6	

### Diagram





# NX34 SQUARE Truss

## Metric Loading Charts

Span	UDL		CPL		1/3 Point load		1/4 Point load		1/5 Point load	
m	kg/m	mm	kg	mm	kg (2x)	mm	kg (3x)	mm	kg (4x)	mm
2	900.5	1.1	1801	1.7	900.5	1.4	600.3	1.3	450.3	1.3
4	448	8.5	1632.6	12.4	894.1	11.6	596.1	10.7	447	10.3
6	295.9	28.7	1077.7	27.9	808.3	35.5	538.9	33.1	443.8	34.6
8	199.3	61.9	797.1	49.9	597.8	63.2	398.5	58.9	332.1	62.4
10	125.2	96.9	626.1	78.5	469.6	98.9	313	92.3	260.9	97.6
12	85	139.8	510	114	382.5	142.7	255	133.4	212.5	140.9
14	60.7	190.9	425.2	156.7	318.9	194.7	212.6	182.3	177.2	192.2
16	45	250.1	360	206.9	270	254.9	180	239.3	150	251.8
18	34.2	317.7	307.9	265.1	230.9	323.5	153.9	304.5	128.3	319.8

## Imperial Loading Charts

Span	UDL		CPL		1/3 Point load		1/4 Point load		1/5 Point load	
ft	lbs/ft	in	lbs	in	lbs (2x)	in	lbs (3x)	in	lbs (4x)	in
6.6	605	0	3971	1	1985	1	1323	1	993	1
13.1	301	3	3599	5	1971	5	1314	4	985	4
19.7	199	11	2376	11	1782	14	1188	13	978	14
26.2	134	24	1757	20	1318	25	879	23	732	25
32.8	84	38	1380	31	1035	39	690	36	575	38
39.37	57	55	1124	45	843	56	562	53	468	55
45.93	40.8	75.2	937.4	61.7	703.1	76.7	468.7	71.8	390.7	75.7
52.49	30.2	98.5	793.7	81.5	595.2	100.4	396.8	94.2	330.7	99.1
59.05	23.0	125.1	678.8	104.4	509.0	127.4	339.3	119.9	282.9	125.9

- High values of distributed loads are idealized. Loads must be applied to node points!
- Full loading tables are available on request.