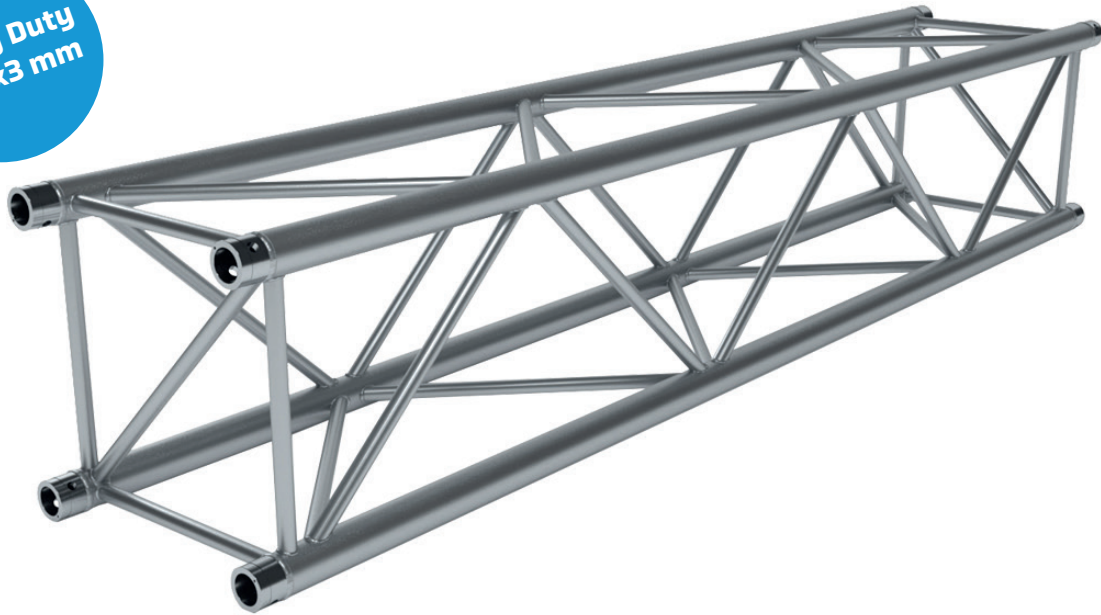




NX44 SQUARE Truss

Heavy Duty
48.3x3 mm



NX44 SQUARE

The NX44 Square truss is engineered from main tubes (48.3 x 3 mm) and braces (16 x 2 mm).

Equipped with the NX6 conical coupling system, the NX44 truss is fast and easy to assemble.

The NX44 truss is a multi truss because it is both stronger as well as more versatile and designed for multiple purposes in the fixed installation, rental and tradeshow and exhibition markets.

NX44 truss also has a series of corners and accessories.

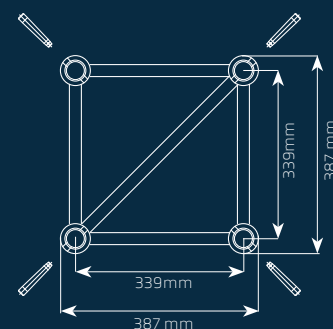
THE ESSENTIALS

- Fast and easy assembly
- Light weight system
- TÜV Approved
- Can be used as a tower truss
- Cross bracing
- 4-point nodes

Technical specifications

Height	387 mm	15.24 in
Width	387 mm	15.24 in
Size Main Tube	48.3 x 3 mm	1.90 x 0.11 in
Size Bracing	20 x 2	0.79 x 0.08 in
Weight	~6.9 kg/mtr	~ 49.90 lb/ft
Pin Position	Diagonal	
Coupling System	NX6	
Alloy	EN AW 6082 T6	

Diagram





NX44 SQUARE Truss

Metric Loading Charts

Span	UDL		CPL		1/3 Point load		1/4 Point load		1/5 Point load	
m	kg/m	mm	kg	mm	kg (2x)	mm	kg (3x)	mm	kg (4x)	mm
4	433.6	4.2	1734.4	6.6	867.2	5.6	578.1	5.2	433.6	5
6	286.5	14.1	1378*	17.9	859.4	19	572.9	17.7	429.7	16.9
8	212.9	33.4	1056*	33.1	758*	40.2	556*	41.1	425.8	40.1
10	168.8	65.2	840*	52.6	617*	65	438*	64.4	361*	67.4
12	121.8	99.4	701*	77.9	515*	95.8	362*	93.9	295*	97.4
14	87.4	135.6	593*	108	441*	133.3	303*	128.3	250*	134.1
16	65.1	177.7	505*	142.5	379*	176.3	258*	168.3	213*	175.8
18	49.8	225.6	435*	182.5	329*	225.9	222*	214.1	185*	225.2
20	38.9	279.4	381*	230.1	288*	282.2	192*	265.8	160*	279

Imperial Loading Charts

Span	UDL		CPL		1/3 Point load		1/4 Point load		1/5 Point load	
ft	lbs/ft	in	lbs	in	lbs (2x)	in	lbs (3x)	in	lbs (4x)	in
13.1	291	2	3824	3	1912	2	1274	2	956	2
19.7	193	6	3038*	7	1895	7	1263	7	947	7
26.2	143	13	2328*	13	1671*	16	1226*	16	939	16
32.8	113	26	1852*	21	1360*	26	966*	25	796*	27
39.4	82	39	1545*	31	1135*	38	798*	37	650*	38
45.93	59	53	1307*	43	972*	52	668*	51	551*	53
52.49	43.7	70.0	1113.3*	56.1	835.6*	69.4	568.8*	66.3	469.6*	69.2
59.05	33.5	88.8	959.0*	71.9	725.3*	88.9	489.4*	84.3	407.9*	88.7
65.62	26.1	110.0	840.0*	90.6	634.9*	111.1	423.3*	104.6	352.7*	109.8

- High values of distributed loads are idealized. Loads must be applied to node points!
- Full loading tables are available on request.

* limited by interaction of shear and moment at the connection
Displacement connection is decisive!