



# NS52 SQUARE Truss



## NS52 SQUARE

The NS52 Square truss is engineered from 50 x 4 mm main tubes and 30 x 3 mm braces. With the NC2 conical coupling system, the heavy-duty NS52 truss is fast and easy to assemble.

This truss is the perfect solution for applications when high loading is required or when a larger span is needed, It is the ultimate truss to be used in pre-rig rigging installations. All these characteristics make it the international standard for bigger rental companies around the world.

NS52 truss series also includes a box corner and accessories.

## THE ESSENTIALS

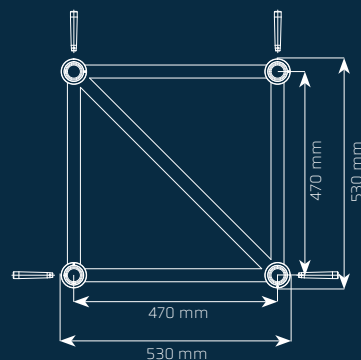
- Fast and easy assembly
- High loading, low dead weight
- TÜV Approved
- Can be used as grid truss

### Technical specifications

Height	530 mm	20.9 in
Width	530 mm	20.9 in
Size Main Tube	50 x 4 mm	1.97 x 0.16 in
Size Bracing	30 x 3 mm	1.18 x 0.12 in
Weight	~12 kg/m	8.1 lb/ft

Pin Position	Vertical/Horizontal
Coupling System	NC2
Alloy	EN AW 6082 T6

### Diagram





# NS52 Loading charts

## Metric Loading Charts

Span	UDL		CPL		1/3 Point load		1/4 Point load		1/5 Point load	
m	kg/m	mm	kg	mm	kg [2x]	mm	kg [3x]	mm	kg [4x]	mm
6	960	17	2392*	12	1491*	12.7	1109*	13.2	889*	13.4
8	535	31	1971*	23.7	1285*	26.2	985*	28	812*	29.3
10	338	49	1643*	39.1	1105*	44.6	846	47.5	705	50.3
12	231	72	1391	58.3	970*	68.6	695	68.6	579	72.5
14	167	98	1172	79.9	861*	98.3	586	93.6	488	98.9
16	125	128	1004	105.1	753	131.1	502	122.6	418	129.4
18	96	163	872	134	654	166.2	436	155.8	363	164.2
20	76	201	764	167	573	205.6	382	193.1	318	203.1
22	61	244	673	204	505	249.4	336	234.6	280	246.5

## Imperial Loading Charts

Span	UDL		CPL		1/3 Point load		1/4 Point load		1/5 Point load	
ft	lbs/ft	in	lbs	in	lbs [2x]	in	lbs [3x]	in	lbs [4x]	in
19.7	645	7	5273*	5	3287*	5	2445*	5	1960*	5
26.2	360	13	4345*	9	2833*	10	2172*	11	1790*	12
32.8	228	20	3622*	15	2436*	18	1867	19	1556	20
39.4	156	28	3067	23	2138*	27	1534	27	1278	29
45.9	112	39	2584	31	1898*	39	1292	37	1077	39
52.49	84	51	2215	41	1662	52	1108	48	923	51
59.05	65	64	1923	52	1442	65	961	61	801	64
65.62	51	79	1685	65	1263	80	842	76	702	80
72.18	41	96	1485	80	1114	98	742	92	619	97

- High values of distributed loads are idealized. Loads must be applied to node points!
- Full loading tables are available on request.

\* limited by interaction of shear and moment at the connection  
Displacement connection is decisive!



## NS52 LENGTHS



Productcode	Description
NS52-050	SQUARE NS52 LENGTH 50CM 50X4mm
NS52-100	SQUARE NS52 LENGTH 100CM 50X4mm
NS52-150	SQUARE NS52 LENGTH 150CM 50X4mm
NS52-200	SQUARE NS52 LENGTH 200CM 50X4mm
NS52-250	SQUARE NS52 LENGTH 250CM 50X4mm
NS52-300	SQUARE NS52 LENGTH 300CM 50X4mm
NS52-350	SQUARE NS52 LENGTH 350CM 50X4mm
NS52-400	SQUARE NS52 LENGTH 400CM 50X4mm



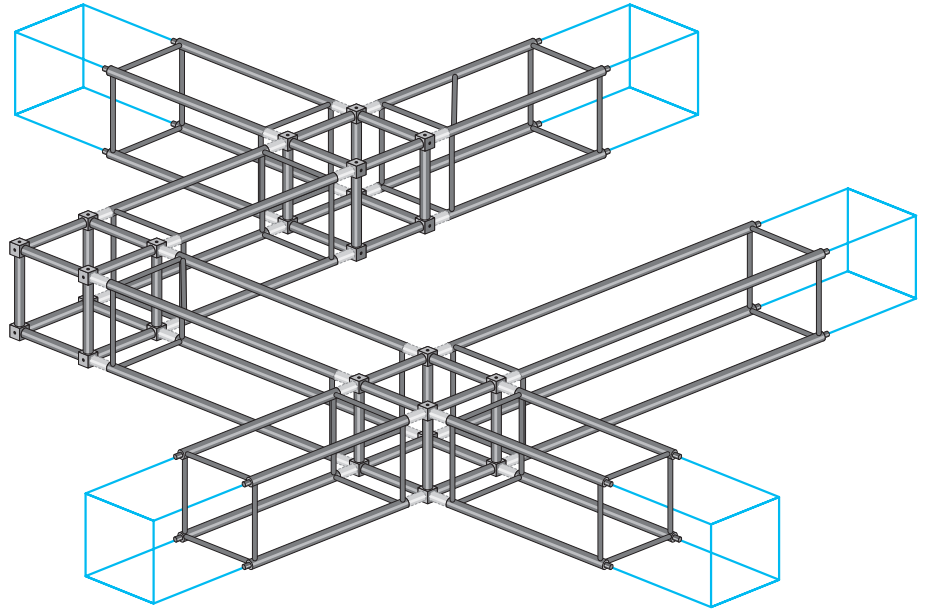
# NS52 Corners



In the NS52 series, NEXT Truss offers a box corner that enables you to create corners up to 6 ways in configurations of 90

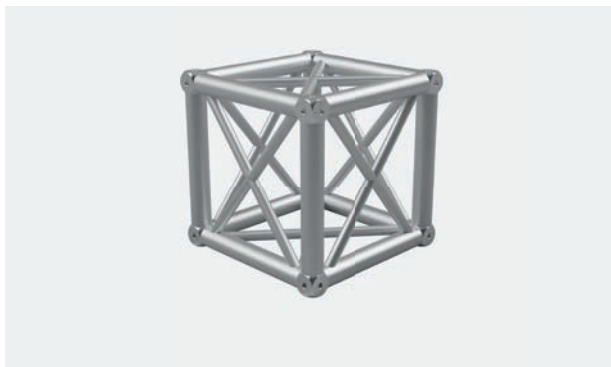
degree angles. To create these configurations attachments can be screwed on to the box corner using bolts.

Productcode	Size in cm
NBOX-52	53x53



## NBOX-52 Box corner

Box corner NS52



Technical specifications		
Height	530 mm	11.38 in
Width	530 mm	11.38 in
Size Main Tube	60 x 5 mm	1.97 x 0.16 in
Size Bracing	30 x 3 mm	0.98 x 0.12 in
Weight	25 kg	
Pin Position	Horizontal / Vertical	
Coupling System	NC2	
Bolt Size	M16	
Alloy	EN AW 6082 T6	

### NS BOX Attachments

Productcode	Description
NC2-BOB80	NC2 FEMALE RECEIVER L=80mm incl sping pin black

All corners are shown without bracing to improve indication of direction.