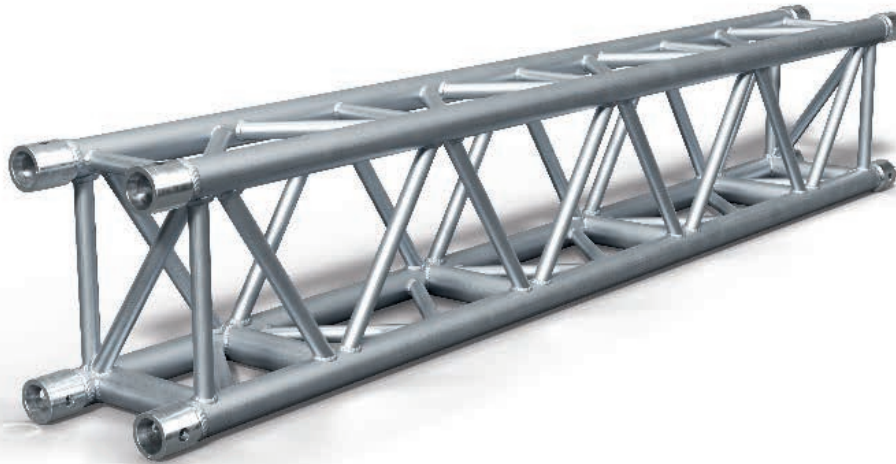




NSR36 RECTANGLE Truss



NSR36 RECTANGLE

The NSR36 Square truss is engineered from main tubes (50 x 4 mm) and braces (25 x 3 mm). It is equipped with the NC2 conical coupling system that makes the NSR36 truss fast and easy to assemble.

Due to the unique pattern of the bracing the NSR36 truss is a compact, high load-bearing truss. Its flexible properties make it a popular truss for rental companies.

NSR36 truss also includes a range of corners and accessories.

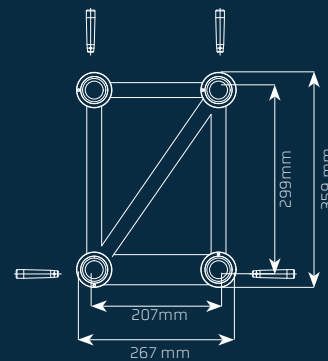
THE ESSENTIALS

- Fast and easy assembly
- Excellent loading, low dead weight
- TÜV Approved
- Perfect for indoor use

Technical specifications

Height	359 mm	14.1 in
Width	267 mm	10.5 in
Size Main Tube	50 x 4 mm	1.97 x 0.16 in
Size Bottom Bracing	50 x 4 mm	1.97 x 0.16 in
Size Diagonal Bracing	25 x 3 mm	0.98 x 0.12 in
Weight	~11 kg/mt	7.4 lb/ft
Pin Position	Vertical / Horizontal	
Coupling System	NC2	
Alloy	EN AW 6082 T6	

Diagram





NSR36 Loading charts

Metric Loading Charts

Span	UDL		CPL		1/3 Point load		1/4 Point load		1/5 Point load	
m	kg/m	mm	kg	mm	kg (2x)	mm	kg (3x)	mm	kg (4x)	mm
4	1221	11	2761	10	2070	12.7	1380	11.8	1150	12.5
6	608	28	1824	22.5	1368	28.6	912	26.6	760	28.2
8	337	49.9	1350	40.2	1012	50.9	675	47.4	562	50.2
10	212	78	1062	63.2	796	79.7	531	74.3	442	78.6
12	144	112.6	866	91.7	649	114.9	433	107.4	361	113.5
14	103	153.7	724	126	543	156.8	362	146.8	301	154.8
16	76	201.3	614	166.2	461	205.2	307	192.5	256	202.7
18	58	255.7	527	212.8	395	260.4	263	244.9	219	257.4
20	45	316.8	455	266	341	322.5	227	304.1	189	318.9

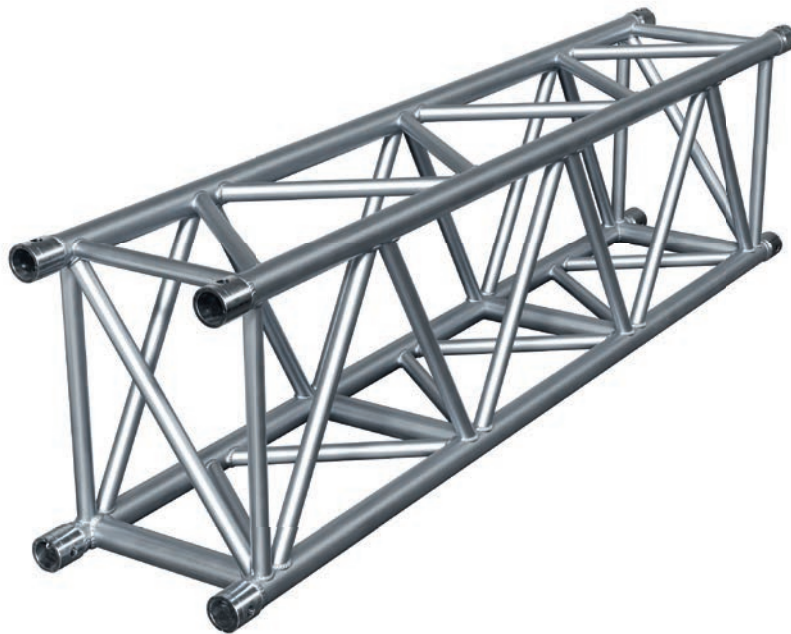
Imperial Loading Charts

Span	UDL		CPL		1/3 Point load		1/4 Point load		1/5 Point load	
ft	lbs/ft	in	lbs	in	lbs (2x)	in	lbs (3x)	in	lbs (4x)	in
13.1	821	4	6087	4	4566	5	3044	5	2536	5
19.7	409	11	4021	9	3016	11	2011	10	1676	11
26.2	227	20	2977	16	2233	20	1489	19	1240	20
32.8	143	31	2342	25	1756	31	1171	29	976	31
39.4	97	44	1911	36	1433	45	955	42	796	45
45.93	69	61	1596	50	1197	62	798	58	665	61
52.49	51	79	1355	65.4	1016	80.8	677	75.8	564	79.8
59.05	39	100	1162	83.8	871	102.5	581	96.4	484	101.3
65.62	30	124	1004	104.7	752	127.0	502	119.7	418	125.6

- High values of distributed loads are idealized. Loads must be applied to node points!
- Full loading tables are available on request.



NSR52 RECTANGULAR Truss



NSR52 RECTANGULAR

Our NSR52 is a rectangular truss that has been specially developed for applications that require heavy-duty performance. With a width of 390 mm and 520 mm high it is a rather small product but holds a high loading capacity. A perfect choice for rental companies and retail installations. The NSR52 has four-sided diagonal webbing and rigid horizontal bracing on the bottom side, this allows easy mounting of lighting fixtures or other central loads.

Due to its rectangular size, the storage and transport space is 25% smaller than the NS52, but it still offers an equal load capacity.

The NSR52 is equipped with the NC2 connection system.

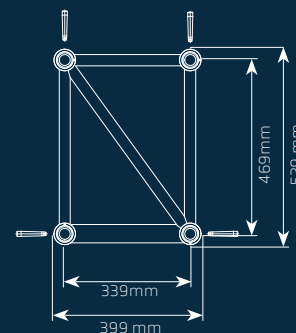
THE ESSENTIALS

- Fast and easy assembly
- Heavy Duty Truss
- The load can be attached centralized
- Narrow design
- Optimized for indoor & outdoor use

Technical specifications

Height	529mm	20.8 in
Width	399mm	15.7 in
Size Main Tube	50 x 4 mm	1.90 x 0.11 in
Size Diagonal Bracing	30 x 3 mm	1.18 x 0.12 in
Size Bottom Bracing	50 x 4 mm	1.97 x 0.16 in
Weight	14~ kg/mt	9,4 lb/ft
Pin Position	Horizontal below / vertically top	
Coupling System	NC2	
Alloy	EN AW 6082 T6	

Diagram





NSR52 Loading charts

Metric Loading Charts

Span	UDL		CPL		1/3 Point load		1/4 Point load		1/5 Point load	
m	kg/m	mm	kg	mm	kg (2x)	mm	kg (3x)	mm	kg (4x)	mm
6	958	17,9	2387*	12	1488*	12,7	1107*	13,2	887*	13,4
8	533	31,9	1964*	23,7	1281*	26,3	982*	28	809*	29,3
10	336	49,9	1634*	39,2	1099*	44,6	842	47,6	701	50,3
12	230	72,1	1380	58,5	963*	68,7	690	68,7	575	72,6
14	165	98,3	1159	80,2	852*	98,4	579	93,8	483	99
16	123	128,7	990	105,6	742	131,2	495	122,9	412	129,6
18	95	163,3	856	134,9	642	166,5	428	156,2	356	164,4
20	74	202,2	746	168,3	559	206	373	193,7	310	203,6
22	59	245,5	653	205,9	490	249,9	326	235,6	272	247,1

Imperial Loading Charts

Span	UDL		CPL		1/3 Point load		1/4 Point load		1/5 Point load	
ft	lbs/ft	in	lbs	in	lbs (2x)	in	lbs (3x)	in	lbs (4x)	in
19,7	644	7	5262*	5	3280*	5	2441*	5	1956*	5
26,2	359	13	4330*	9	2824*	10	2165*	11	1784*	12
32,8	226	20	3602*	15	2423*	18	1857	19	1547	20
39,4	155	28	3043	23	2123*	27	1521	27	1268	29
45,9	111	39	2556	32	1878*	39	1278	37	1065	39
52,5	83	51	2183	42	1637	52	1092	48	910	51
59,1	64	64	1887	53	1415	66	944	61	786	65
65,6	50	80	1645	66	1233	81	822	76	685	80
72,2	40	97	1441	81	1081	98	720	93	600	97

- High values of distributed loads are idealized. Loads must be applied to node points!
- Full loading tables are available on request.

* limited by interaction of shear and moment at the connection
Displacement connection is decisive!



NSR36 LENGTHS



Productcode	Description
NSR36-050	RECTANGULAR NSR36 LENGTH 50CM 50x4mm
NSR36-100	RECTANGULAR NSR36 LENGTH 100CM 50x4mm
NSR36-150	RECTANGULAR NSR36 LENGTH 150CM 50x4mm
NSR36-200	RECTANGULAR NSR36 LENGTH 200CM 50x4mm
NSR36-250	RECTANGULAR NSR36 LENGTH 250CM 50x4mm
NSR36-300	RECTANGULAR NSR36 LENGTH 300CM 50x4mm
NSR36-400	RECTANGULAR NSR36 LENGTH 400CM 50x4mm

NSR52 LENGTHS



Productcode	Description
NSR52-050	RECTANGULAR NSR52 LENGTH 50CM 50X4mm
NSR52-100	RECTANGULAR NSR52 LENGTH 100CM 50X4mm
NSR52-150	RECTANGULAR NSR52 LENGTH 150CM 50X4mm
NSR52-200	RECTANGULAR NSR52 LENGTH 200CM 50X4mm
NSR52-250	RECTANGULAR NSR52 LENGTH 250CM 50X4mm
NSR52-300	RECTANGULAR NSR52 LENGTH 300CM 50X4mm
NSR52-350	RECTANGULAR NSR52 LENGTH 350CM 50X4mm
NSR52-400	RECTANGULAR NSR52 LENGTH 400CM 50X4mm

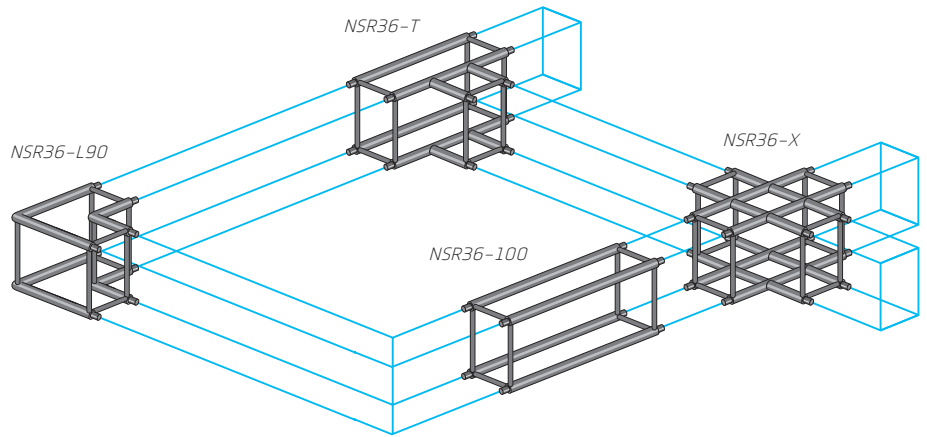


NSR36 Corners / NSR52 Box Corner

In the NS36 series, corner pieces are widely represented, there are many possibilities to perfectly connect the NS36 corner collection with the straight elements. Let your creativity run wild, because these corner pieces offer endless possibilities.

The NS36 series allows a wide variety of structural shapes up to three levels by using corners, crosspieces, T and X-pieces. For the NSR52 only a box corner is available.

Productcode	Size in cm
NSR36-L90	47,5 x 47,5
NSR36-050D	60x47,5
NSR36-L90DR	47,5x 47,5x 47,5
NSR36-L90DL	47,5x 47,5x 47,5
NSR36-T	60x47,5
NSR36-X	60x60



NBOX-36R Box corner

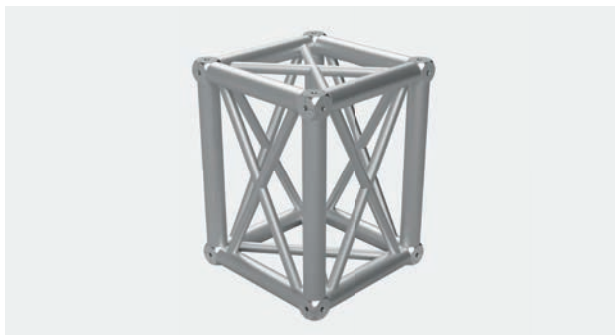
Box corner for NSR36



Technical specifications		
Height	359 mm	11.38 in
Width	267 mm	11.38 in
Size Main Tube	60 x 5 mm	2.36 x 0.16 in
Size Bracing	30 x 3 mm	1.18 x 0.12 in
Weight	15 kg	
Pin Position	Horizontal/Vertical	
Coupling System	NC2/M16	
Alloy	EN AW 6082 T6	

NBOX-52R Box corner

Box corner for NSR52



Technical specifications		
Height	530 mm	11.38 in
Width	399 mm	11.38 in
Size Main Tube	60 x 5 mm	1.97 x 0.16 in
Size Bracing	30 x 3 mm	0.98 x 0.12 in
Weight	21 kg	
Pin Position	Horizontal/Vertical	
Coupling System	NC2/M16	
Alloy	EN AW 6082 T6	

BOX Attachments for NSR36 & NSR52	
Productcode	Description
NC2-BOB80	NC2 FEMALE RECEIVER L=80mm incl spring pin black

All corners are shown without bracing to improve indication of direction.