



# NT40 Tower System



## NT40 TOWER SYSTEM

The NT40 Tower system is an excellent system to allow safe & quick lifting of NS52 or NBR100 rigs. The NT40 Tower is based on NST44 Truss which has 50x4 main tubes and 25x3 mm bracing, these mast sections are equipped with horizontal bracing on one side for easy climbing of the towers.

The NT40 Tower is suitable for both NS52 and NBR100 sleeve blocks. Both sleeve blocks are based on a corner block without bracing on the top and bottom, instead of this sleeve plates are mounted on top and bottom. In these sleeve plates wheels are mounted for sliding the block over the mast sections. In addition, holes are provided for the dead hanging of the construction. The base can be equipped with short or long outriggers, and the top section is suitable for motor hoists.

### Technical specifications

Max. Height	16.00 m*	52 ft
Max. Loading capacity	2.000 kg*	4.400 lbs*
Type of mast sections	NST44 Truss	
Connection system	NC1	
Available sleeve blocks	NS52 & NBR100	

*\* Before loading the system you should always have to calculate and determine what the maximum load is. Tower heights and sizes of the structure influence the total loading capacity.*

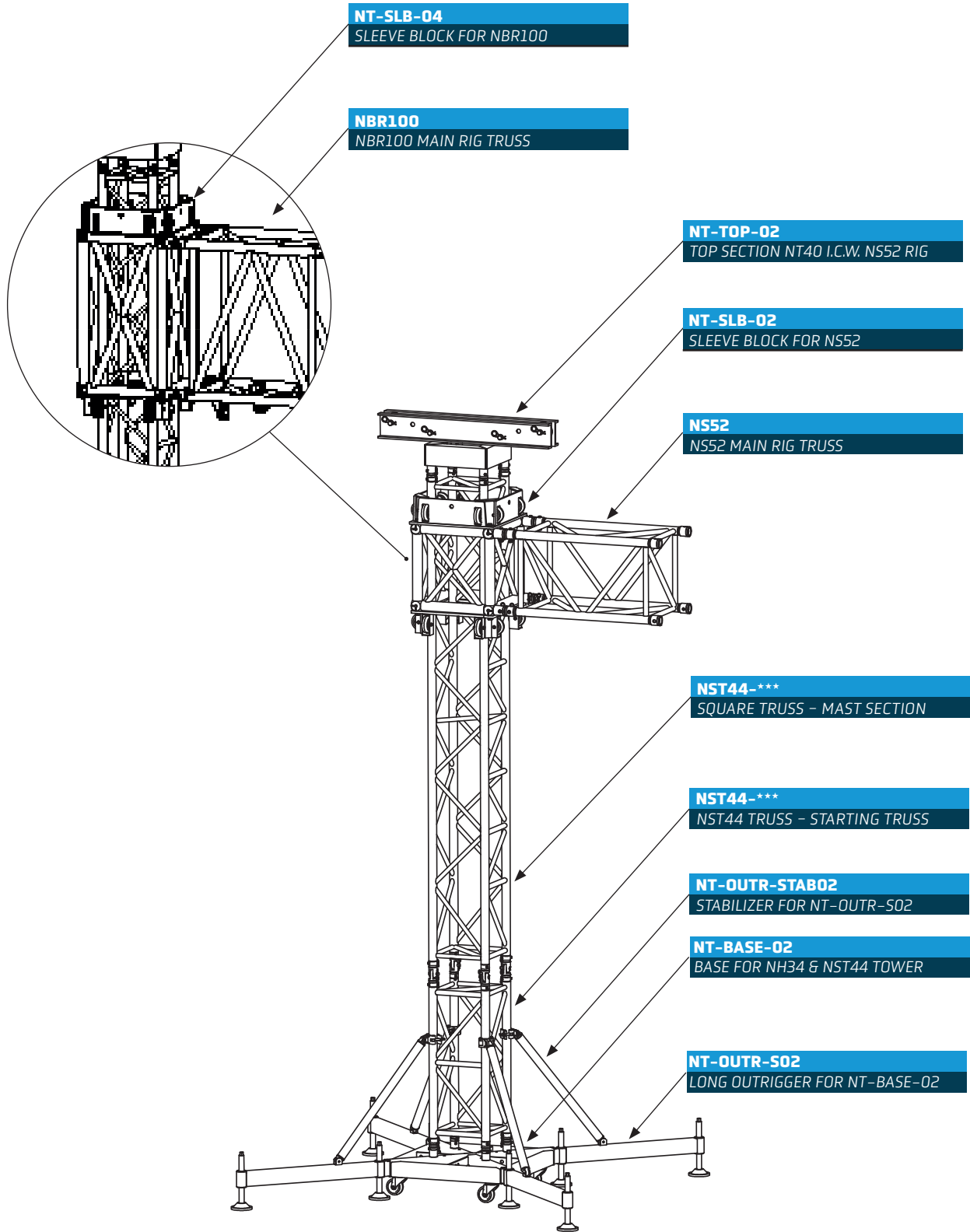
## THE ESSENTIALS

- Can be used for NS52 and NBR100 truss rigs
- Multifunctional for use with manual and motorized hoists
- Up to 16 meters\*



# NT40 Tower System explained

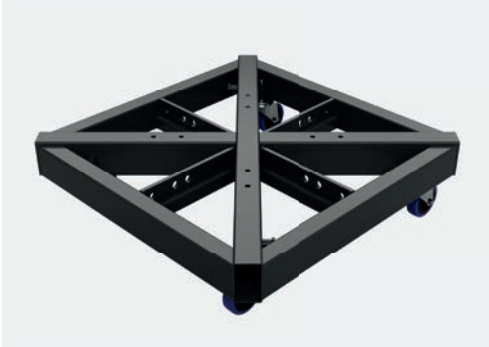
Assembling a tower is not a daily activity for everyone, that is why we have made an overview below of all the parts in a tower and on which position they are located. Down below we have pictured two towers, one with long outriggers and one with short outriggers.





# NT40 Tower Parts

## NT-BASE-02



*Reinforced Base section steel for NT-TOWER 30 & 40 (excl. fem receiver)*

Our reinforced NT-BASE-02 is the recommended steel base for outdoor, covered or high height constructions on 30 & 40 cm towers. It can be used with either short or long outriggers, depending on the tower configuration. The base is equipped with 4 wheels that can rotate 360 degrees and pre-drilled holes are available for mounting NC1-B0B75 receivers, which ensures a strong connection with the tower truss.

### Specifications

Productcode	Height	Width	Depth	Coupling System	Material
NT-BASE-02	228 mm	793 mm	793 mm	NC1-B0B75 (not included)	Powdercoated Steel

## OUTRIGGERS



*Short & Long Outriggers for NT-BASE-01/02*

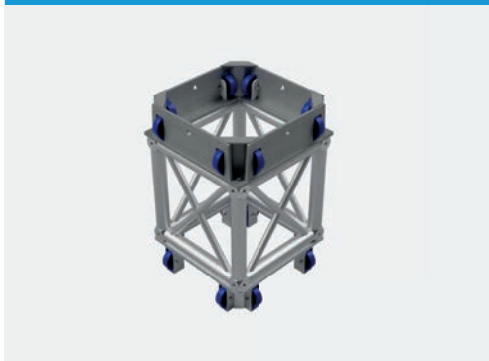
The base should not bear the weight on the wheels, therefore long or short outriggers should always be used.

The outriggers are held in place in the base by a safety pin. Use long outriggers always in combination with stabilizers.

### Specifications

Productcode	Height	Width	Depth	Meant for	Material
NT-OUTR-S02	345 mm	307 mm	125 mm	NT-BASE-02	Powdercoated Steel
NT-OUTR-L02	345 mm	1207 mm	125 mm	NT-BASE-02	Powdercoated Steel

## Sleeve block NS52



*Sleeve block for NST44 Tower to connect NS52 truss as rig*

For the NS52 Square Truss a standard sleeve block is available to create your main rig on the NT40 Tower. Two sleeve plates are mounted on top and on the bottom of an aluminium cornerblock. In the sleeve plates several pre drilled holes are available to facilitate for dead-hanging and to connect guy wiring. The high quality rubber wheels provide a smooth rise over the tower truss.

### Specifications

Productcode	Height	Width*	Depth*	Coupling System	Material
NT-SLB-02**	842 mm	590 mm	590 mm	NC2/M16	Aluminium & Steel

\* working size is 530 x 530 mm

\*\* The NS52 and NBR100 sleeve block consists out of 3 parts; A top plate, a corner block without bracing in the top and bottom and a bottom plate, in both the top and bottom plates wheels are mounted.



# NT40 Tower Parts

## Sleeve block NBR100



*Sleeve block for NST44 Tower to connect NBR100 truss as rig*

For the NBR100 Rectangular Truss a standard sleeve block is available to create your main rig on the NT40 Tower. Two sleeve plates are mounted on top and on the bottom of an aluminium cornerblock. In the sleeve plates several pre drilled holes are available to facilitate for dead-hanging and to connect guy wiring. The high quality rubber wheels provide a smooth rise over the tower truss.

### Specifications

Productcode	Height	Width*	Depth*	Coupling System	Material
NT-SLB-04**	1322 mm	590 mm	590 mm	NC2/M16	Aluminium & Steel
* working size is 580 x 580 mm					

## TOP SECTION



*Top section combi for NST44 Tower i.c.w. NS52 & NBR100 rig*

For the NST44 Tower a special top section is available, this top section is suitable for both the NS52 and the NBR100 truss. It can be used with a powered motor hoist, and in addition, the top section is equipped with 2 additional pins which can be used for dead hanging of the structure.

### Specifications

Productcode	Height	Width	Depth	Coupling System	Material
NT-TOP-02	335 mm	1106 mm	404 mm	NC1	Aluminium

## STABILIZERS



*Stabilizers for NT-OUTR-L02*

To create a stable base the stabilizers can be connected to the tower truss and the long outrigger.

### Specifications

Productcode	Height	Width	Depth	i.c. with	Material
NT-OUTR-STAB02	105 mm	1035 mm	50 mm	NST44 Tower	Aluminium

## HINGE SET



*Hinge set for NST44 Tower*

Complete Hinge sets are available to create an easy connection and rise of the tower truss. The hinge sets are mounted on the starting truss, then the pre-assembled tower truss can be connected to it so that it can be pushed or pulled up easily and safely.

### Specifications

Productcode	Height	Width	Weight	Coupling System	Material
NT-HINGE-01	168 mm	48 mm	62 mm	NC1	Aluminium