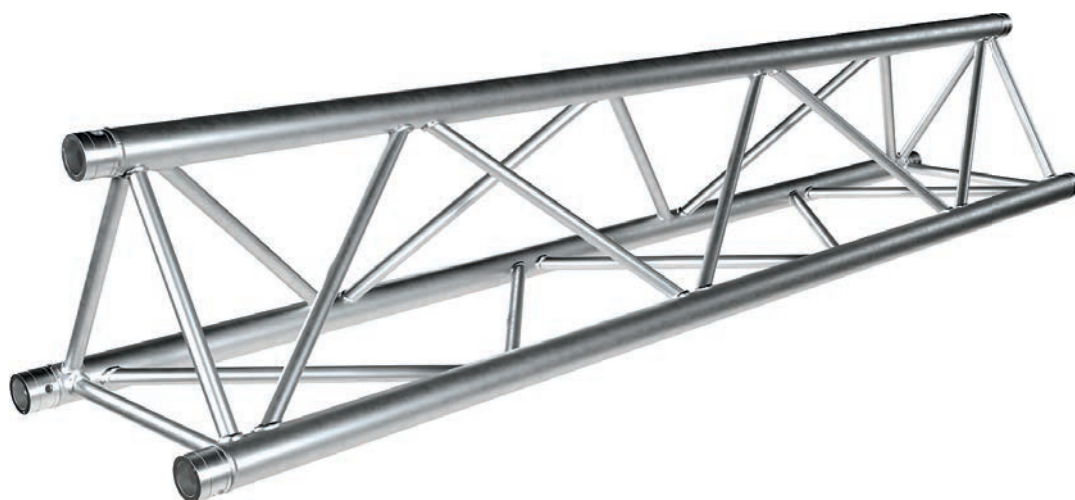


# NX43 TRIANGLE Truss



## NX43 TRIANGLE

Looking for a bigger triangle truss than the NX33? Look no further! NX43 is a mid-sized triangular truss that is meant for medium-duty use. The NX43 truss is made of main tubes (51 x 2 mm) and braces (20 x 2 mm).

The NX43 triangular truss can be used perfectly for trade shows, exhibitions, fairs, etc. But it is also a product that is a popular choice for many other purposes and applications such as fixed installations.

Equipped with the NC1 conical coupling system, the NX43 truss is quick and easy to assemble. NX43 truss also has a series of corners and accessories.

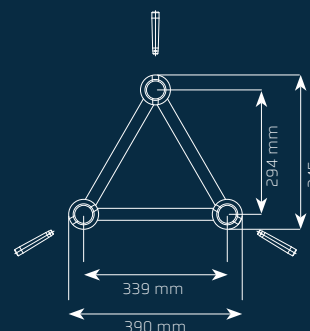
## THE ESSENTIALS

- Fast and easy assembly
- Lightweight system
- Versatile application

### Technical specifications

Height	345 mm	13.6 in
Width	390 mm	15.4 in
Size Main Tube	51 x 2 mm	2 x 0.08 in
Size Bracing	20 x 2 mm	0.79 x 0.08 in
Weight	~6 kg/mtr	~4 lb/ft
Pin Position	Vertical/Diagonal	
Coupling System	NC1	
Alloy	EN AW 6082 T6	

### Diagram





# NX43 Loading charts



## Metric Loading Charts

Span		UDL		CPL		1/3 Point load		1/4 Point load		1/5 Point load	
m	kg/m	mm	kg	mm	kg (2x)	mm	kg (3x)	mm	kg (4x)	mm	
2	759	1,2	1190*	1,6	759	1,7	506	1,6	379	1,5	
3	504	4,2	867*	3,8	599*	4,5	462*	4,9	371*	5	
4	358	9,5	667*	7,1	473*	8,5	348*	8,7	284*	9,1	
5	227	14,8	540*	11,3	388*	13,8	279*	13,8	228*	14,3	
6	156	21,3	450*	16,6	327*	20,3	230*	19,9	190*	20,9	
8	85	38	332*	30,1	246*	37,4	169*	35,9	140*	37,6	
10	52	59,6	259*	48,1	194*	59,7	131*	56,4	109*	59,5	
12	35	86,3	206*	70,4	156*	87,1	104*	81,9	87*	86,1	
14	24	118	166*	97,7	127,2	120,1	84*	112,4	70	118,8	

## Imperial Loading Charts

Span		UDL		CPL		1/3 Point load		1/4 Point load		1/5 Point load	
ft	lbs/ft	in	lbs	in	lbs (2x)	in	lbs (3x)	in	lbs (4x)	in	
6,6	510	0	2624*	1	1673	1	1116	1	837	1	
9,8	339	2	1911*	1	1321*	2	1019*	2	818*	2	
13,1	241	4	1470*	3	1043*	3	767*	3	626*	4	
16,4	153	6	1190*	4	855*	5	615*	5	503*	6	
19,7	105	8	992*	7	721*	8	507*	8	419*	8	
26,2	57	15	732*	12	542*	15	373*	14	309*	15	
32,8	35	23	571*	19	428*	24	289*	22	240*	23	
39,4	24	34	454*	28	344*	34	229*	32	192*	34	
45,9	16	46	366*	38	280	47	185*	44	156	47	

- High values of distributed loads are idealized. Loads must be applied to node points!
- Full loading tables are available on request.

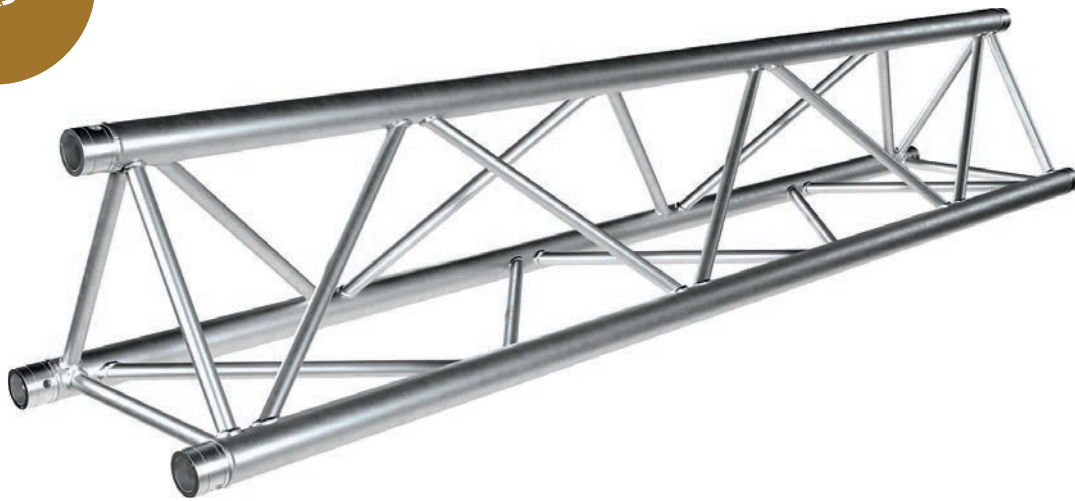
\* limited by interaction of shear and moment at the connection  
Displacement connection is decisive!



# NH43 TRIANGLE Truss



Heavy Duty  
48.3x3 mm



## NH43 TRIANGLE

The NH43 truss is made of main tubes (48.3 x 3 mm) and braces (20 x 2 mm). It is our mid-sized triangular stage truss that is extremely versatile.

Equipped with the NC1 conical coupling system, the NH43 truss is quick and easy to assemble.

Triangular trusses are mostly used for permanent installation, exhibition or decorating purposes. The NH43 is mainly designed for use in the installation, rental and exhibition market. But it is also a popular choice for many other purposes and applications.

NH43 truss also has a series of corners and accessories.

## THE ESSENTIALS

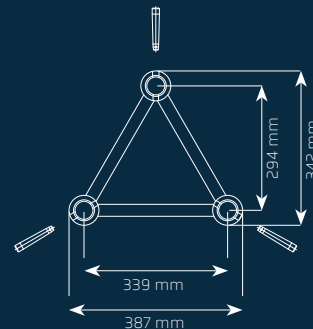
- Fast and easy assembly
- Lightweight system
- Versatile application

### Technical specifications

Height	342 mm	13.46 in
Width	387 mm	15.24 in
Size Main Tube	48.3 x 3 mm	1.90 x 0.11 in
Size Bracing	20 x 2 mm	0.79 x 0.08 in
Weight	~8,5 kg/mtr	~5.7 lb/ft

Pin Position	Vertical/Diagonal
Coupling System	NC1
Alloy	EN AW 6082 T6

### Diagram





# NH43 Loading charts



## Metric Loading Charts

Span	UDL		CPL		1/3 Point load		1/4 Point load		1/5 Point load	
m	kg/m	mm	kg	mm	kg (2x)	mm	kg (3x)	mm	kg (4x)	mm
2	756	0,9	1513	1,4	756	1,2	504	1,1	378	1,1
3	501	3	1201*	3,9	752	4,1	501	3,8	376	3,7
4	374	7,2	925*	7,1	664*	8,6	487*	8,8	374	8,6
5	298	14	749*	11,4	544*	14	386*	13,8	319*	14,5
6	216	21,4	624*	16,6	458*	20,6	322*	20,1	263*	20,9
8	118	38,1	460*	30,2	341*	37,4	235*	36	193*	37,7
10	73	59,8	358*	48,2	268*	59,9	181*	56,6	151*	59,7
12	48	86,5	284*	70,6	215*	87,4	143*	82,1	120*	86,3
14	33	118,3	229*	98	175*	120,4	116*	112,8	97*	118,1

## Imperial Loading Charts

Span	UDL		CPL		1/3 Point load		1/4 Point load		1/5 Point load	
ft	lbs/ft	in	lbs	in	lbs (2x)	in	lbs (3x)	in	lbs (4x)	in
6,6	508	0	3336	1	1668	0	1112	0	834	0
9,8	337	1	2648*	2	1660	2	1107	1	830	1
13,1	252	3	2039*	3	1464*	3	1074*	3	826	3
16,4	200	6	1651*	4	1199*	6	851*	5	703*	6
19,7	146	8	1376*	7	1010*	8	710*	8	580*	8
26,2	80	15	1014*	12	752*	15	518*	14	425*	15
32,8	49	24	789*	19	591*	24	399*	22	333*	24
39,4	32	34	626*	28	474*	34	315*	32	265*	34
45,9	22	47	505*	39	387*	47	256*	44	214*	46

- High values of distributed loads are idealized. Loads must be applied to node points!
- Full loading tables are available on request.

\* limited by interaction of shear and moment at the connection  
Displacement connection is decisive!



## NX43 LENGTHS



Productcode	Description
NX43-025	TRIANGLE NX43 LENGTH 25 CM 51X2mm
NX43-050	TRIANGLE NX43 LENGTH 50 CM 51X2mm
NX43-075	TRIANGLE NX43 LENGTH 75 CM 51X2mm
NX43-081	TRIANGLE NX43 LENGTH 81 CM 51X2mm
NX43-100	TRIANGLE NX43 LENGTH 100 CM 51X2mm
NX43-150	TRIANGLE NX43 LENGTH 150 CM 51X2mm
NX43-200	TRIANGLE NX43 LENGTH 200 CM 51X2mm
NX43-250	TRIANGLE NX43 LENGTH 250 CM 51X2mm
NX43-300	TRIANGLE NX43 LENGTH 300 CM 51X2mm
NX43-350	TRIANGLE NX43 LENGTH 350 CM 51X2mm
NX43-400	TRIANGLE NX43 LENGTH 400 CM 51X2mm

## NH43 LENGTHS



Productcode	Description
NH43-025	SQUARE NH43 LENGTH 25 CM 48,3x3mm
NH43-050	SQUARE NH43 LENGTH 50 CM 48,3x3mm
NH43-075	SQUARE NH43 LENGTH 75 CM 48,3x3mm
NH43-081	SQUARE NH43 LENGTH 81 CM 48,3x3mm
NH43-100	SQUARE NH43 LENGTH 100 CM 48,3x3mm
NH43-150	SQUARE NH43 LENGTH 150 CM 48,3x3mm
NH43-200	SQUARE NH43 LENGTH 200 CM 48,3x3mm
NH43-250	SQUARE NH43 LENGTH 250 CM 48,3x3mm
NH43-300	SQUARE NH43 LENGTH 300 CM 48,3x3mm
NH43-350	SQUARE NH43 LENGTH 350 CM 48,3x3mm
NH43-400	SQUARE NH43 LENGTH 400 CM 48,3x3mm



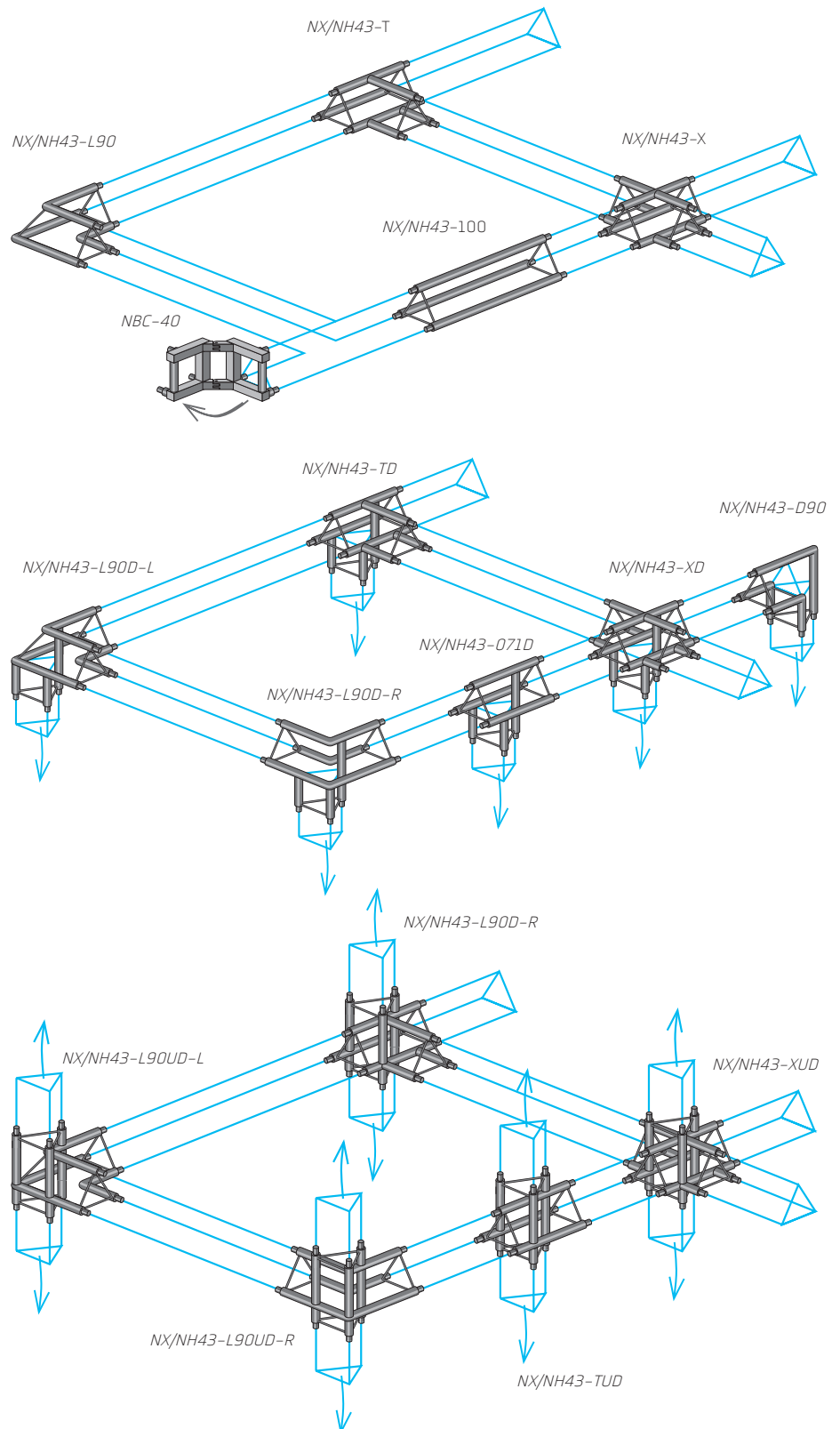
# NX/NH43 Corners

In the NX/NH43 series, corner pieces are widely represented, there are many possibilities to perfectly connect the NX/NH43 corner collection with the straight elements. Let your creativity run wild because these corner pieces offer endless

possibilities. The NX/NH43 series allows a wide variety of structural shapes up to three levels by using corners, crosspieces, T and X-pieces.

Productcode	Size in cm
NX/NH43-L45	120x120
NX/NH43-L60	120x120
NX/NH43-L90	60x60
NX/NH43-L120	60x60
NX/NH43-L135	60x60
NX/NH43-D90	60x60
NX/NH43-U90	60x60
NX/NH43-L90U-R	60x60x60
NX/NH43-L90U-L	60x60x60
NX/NH43-L90D-R	60x60x60
NX/NH43-L90D-L	60x60x60
NX/NH43-T	81x60
NX/NH43-L90UD-R	60x60x86
NX/NH43-L90UD-L	60x60x86
NX/NH43-X	81x81
NX/NH43-TD	81x60
NX/NH43-TU	81x60
NX/NH43-TUD	81x81x60
NX/NH43-XD	81x81x60
NX/NH43-XU	81x81x60

LxWxH



All corners are shown without bracing to improve indication of direction.