



NX44 SQUARE Truss



NX44 SQUARE

The NX44 Square truss is engineered from main tubes (51 x 2 mm) and braces (20 x 2 mm).

Equipped with the NC1 conical coupling system, the NX44 truss is fast and easy to assemble.

The NX44 truss is a multi truss because it is both stronger as well as more versatile and designed for multiple purposes in the fixed installation, rental and tradeshow and exhibition markets.

NX44 truss also has a series of corners and accessories.

THE ESSENTIALS

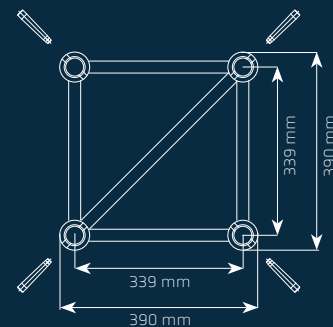
- Fast and easy assembly
- Lightweight system
- TÜV Approved

Technical specifications

Height	390 mm	15.4 in
Width	390 mm	15.4 in
Size Main Tube	51 x 2 mm	2 x 0.07 in
Size Bracing	20 x 2 mm	0.79 x 0.08 in
Weight	~7,5 kg/mtr	~ 5 lb/ft

Pin Position	Diagonal
Coupling System	NC1
Alloy	EN AW 6082 T6

Diagram





NX44 Loading charts

Metric Loading Charts

Span		UDL		CPL		1/3 Point load		1/4 Point load		1/5 Point load	
m	kg/m	mm	kg	mm	kg [2x]	mm	kg [3x]	mm	kg [4x]	mm	
2	875	0,7	1751	1,1	875	1	583	0,9	438	0,9	
3	581	2,4	1693*	3,8	872	3,3	581	3,1	436	2,9	
4	434	5,8	1368*	7,2	869	7,8	579	7,3	434	6,9	
6	287	19,5	980*	17,7	685*	21	528*	22,6	422*	23	
8	203	44	757*	33,1	537*	39,7	395*	40,7	322*	42,2	
10	127	68,9	600*	52,8	441*	65	313*	64,4	255*	66,8	
12	86	99,4	493*	77,5	366*	95,8	255*	93,1	210*	97,4	
14	61	135,7	415*	107,7	311*	133,5	214*	128,5	177*	134,3	
16	45	177,9	355*	143,7	266*	176,6	181*	168,8	149*	176	

Imperial Loading Charts

Span		UDL		CPL		1/3 Point load		1/4 Point load		1/5 Point load	
ft	lbs/ft	in	lbs	in	lbs [2x]	in	lbs [3x]	in	lbs [4x]	in	
6,6	589	0	3862	0	1931	0	1287	0	966	0	
9,8	391	1	3732*	1	1924	1	1282	1	962	1	
13,1	292	2	3016*	3	1916	3	1277	3	958	3	
19,7	193	8	2161*	7	1510*	8	1164*	9	930*	9	
26,2	137	17	1669*	13	1184*	16	871*	16	710*	17	
32,8	86	27	1323*	21	972*	26	690*	25	562*	26	
39,4	58	39	1087*	31	807*	38	562*	37	463*	38	
45,9	42	53	915*	42	686*	53	472*	51	390*	53	
52,5	31	70	783*	57	586*	70	399*	66	328*	69	

- High values of distributed loads are idealized. Loads must be applied to node points!
- Full loading tables are available on request.

* limited by interaction of shear and moment at the connection
Displacement connection is decisive!



NH44 SQUARE Truss

Heavy Duty
48.3x3 mm



NH44 SQUARE

The NH44 Square truss is engineered from main tubes (48.3 x 3 mm) and braces (20 x 2 mm).

Equipped with the NC1 conical coupling system, the NH44 truss is fast and easy to assemble.

The NH44 truss is a multi truss because it is both stronger as well as more versatile and designed for multiple purposes in the fixed installation, rental and tradeshow and exhibition markets.

NH44 truss also has a series of corners and accessories.

THE ESSENTIALS

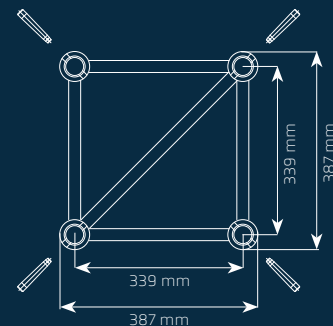
- Fast and easy assembly
- Lightweight system
- TÜV Approved

Technical specifications

Height	387 mm	15.2 in
Width	387 mm	15.2 in
Size Main Tube	48.3 x 3 mm	1.90 x 0.11 in
Size Bracing	20 x 2 mm	0.79 x 0.08 in
Weight	~8.5 kg/mtr	~ 5.7 lb/ft

Pin Position	Diagonal
Coupling System	NC1
Alloy	EN AW 6082 T6

Diagram





NH44 Loading charts

Metric Loading Charts

Span	UDL		CPL		1/3 Point load		1/4 Point load		1/5 Point load	
m	kg/m	mm	kg	mm	kg [2x]	mm	kg [3x]	mm	kg [4x]	mm
4	433	4.2	1734	6.6	867	5.6	578	5.2	433	5
6	286	14.1	1378*	17.9	859	19	572	17.7	429	16.9
8	212	33.4	1056*	33.1	758*	40.2	556*	41.1	425	40.1
10	168	65.2	840*	52.6	617*	65	438*	64.4	361*	67.4
12	121	99.4	701*	77.9	515*	95.8	362*	93.9	295*	97.4
14	87	135.6	593*	108	441*	133.3	303*	128.3	250*	134.1
16	65	177.7	505*	142.5	379*	176.3	258*	168.3	213*	175.8
18	49	225.6	435*	182.5	329*	225.9	222*	214.1	185*	225.2
20	38	279.4	381*	230.1	288*	282.2	192*	265.8	160*	279

Imperial Loading Charts

Span	UDL		CPL		1/3 Point load		1/4 Point load		1/5 Point load	
ft	lbs/ft	in	lbs	in	lbs [2x]	in	lbs [3x]	in	lbs [4x]	in
13.1	291	2	3824	3	1912	2	1274	2	956	2
19.7	193	6	3038*	7	1895	7	1263	7	947	7
26.2	143	13	2328*	13	1671*	16	1226*	16	939	16
32.8	113	26	1852*	21	1360*	26	966*	25	796*	27
39.4	82	39	1545*	31	1135*	38	798*	37	650*	38
45.93	59	53	1307*	43	972*	52	668*	51	551*	53
52.49	43	70.0	1113*	56	835*	69	568*	66	469*	69.2
59.05	33	88.8	959*	71	725*	88	489*	84	407*	88.7
65.62	26	110.0	840*	90	634*	111	423*	104	352*	109.8

- High values of distributed loads are idealized. Loads must be applied to node points!
- Full loading tables are available on request.

* limited by interaction of shear and moment at the connection
Displacement connection is decisive!



NX44 LENGTHS



Productcode	Description
NX44-025	SQUARE XH44 LENGTH 25 CM 51x2mm
NX44-050	SQUARE NX44 LENGTH 50 CM 51x2mm
NX44-075	SQUARE NX44 LENGTH 75 CM 51x2mm
NX44-081	SQUARE NX44 LENGTH 81 CM 51x2mm
NX44-100	SQUARE NX44 LENGTH 100 CM 51x2mm
NX44-150	SQUARE NX44 LENGTH 150 CM 51x2mm
NX44-200	SQUARE NX44 LENGTH 200 CM 51x2mm
NX44-250	SQUARE NX44 LENGTH 250 CM 51x2mm
NX44-300	SQUARE NX44 LENGTH 300 CM 51x2mm
NX44-350	SQUARE NX44 LENGTH 350 CM 51x2mm
NX44-400	SQUARE NX44 LENGTH 400 CM 51x2mm

NH44 LENGTHS



Productcode	Description
NH44-025	SQUARE NH44 LENGTH 25 CM 48,3x3mm
NH44-050	SQUARE NH44 LENGTH 50 CM 48,3x3mm
NH44-075	SQUARE NH44 LENGTH 75 CM 48,3x3mm
NH44-081	SQUARE NH44 LENGTH 81 CM 48,3x3mm
NH44-100	SQUARE NH44 LENGTH 100 CM 48,3x3mm
NH44-150	SQUARE NH44 LENGTH 150 CM 48,3x3mm
NH44-200	SQUARE NH44 LENGTH 200 CM 48,3x3mm
NH44-250	SQUARE NH44 LENGTH 250 CM 48,3x3mm
NH44-300	SQUARE NH44 LENGTH 300 CM 48,3x3mm
NH44-350	SQUARE NH44 LENGTH 350 CM 48,3x3mm
NH44-400	SQUARE NH44 LENGTH 400 CM 48,3x3mm

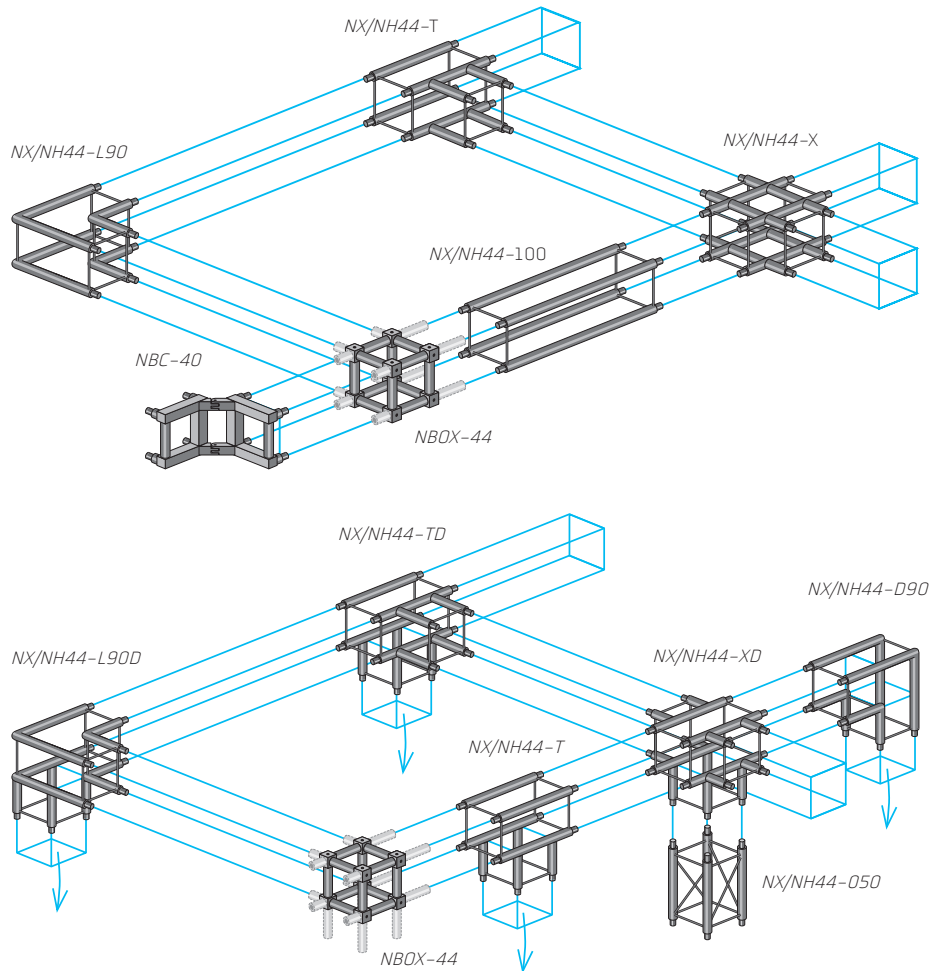


NX/NH 44 Corners

In the NX/NH44 series, corner pieces are widely represented, there are many possibilities to perfectly connect the NX/NH44 corner collection with the straight elements. Let your creativity run wild, because these corner pieces offer endless

possibilities. The NX/NH44 series allows a wide variety of structural shapes up to three levels by using corners, crosspieces, T and X-pieces.

Productcode	Size in cm
NX/NH44-L45	120x120
NX/NH44-L60	120x120
NX/NH44-L90	60x60
NX/NH44-L135	60x60
NX/NH44-L120	60x60
NX/NH44-L90D	60x60x60
NX/NH44-T	81x60
NX/NH44-X	81x81
NX/NH44-TD	81x60
NX/NH44-XD	81x81x60



All corners are shown without bracing to improve indication of direction.