



NX42 LADDER Truss



NX42 LADDER

Slightly bigger as our NX32 is our mid-sized NX42 ladder truss that is meant for medium-duty use. The NX42 truss is made of main tubes (51 x 2 mm) and braces (20 x 2 mm).

The NX42 ladder truss can be used perfectly for trade shows, exhibitions, fairs, etc. But it is also a product that is a popular choice for many other purposes and applications.

Equipped with the NC1 conical coupling system, the NX42 truss is quick and easy to assemble. NH32 truss also has a series of corners and accessories.

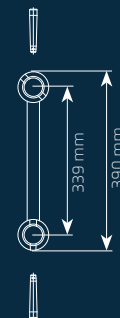
THE ESSENTIALS

- Fast and easy assembly
- Lightweight system
- Ideal for exhibitons & indoor use
- Low volume

Technical specifications

Height	390 mm	15,4 in
Width	51 mm	2 in
Size Main Tube	51 x 2 mm	2 x 0.8 in
Size Bracing	20 x 2 mm	0.78 x 0.08 in
Weight	~3.2 kg/mtr	~2.2 lb/ft
Pin Position	Vertical	
Coupling System	NC1	
Alloy	EN AW 6082 T6	

Diagram





NX42 Loading charts



Metric Loading Charts

Span	UDL		CPL		1/3 Point load		1/4 Point load		1/5 Point load	
m	kg/m	mm	kg	mm	kg (2x)	mm	kg (3x)	mm	kg (4x)	mm
2	438	0,7	876	1,1	438	1	292	0,9	219	0,9
3	291	2,4	848*	3,8	437	3,3	291	3,1	218	2,9
4	217	5,8	685*	7,2	435	7,8	290	7,3	217	6,9
5	173	11,3	579*	12	391*	13,8	289	14,2	217	13,6
6	144	19,5	491*	17,7	344*	21	265*	22,6	212*	23
7	123	30,9	428*	24,7	303*	29,7	228*	31,1	184*	31,9
8	102	44	380*	33,1	270*	39,7	198*	40,6	162*	42,2
9	80	55,7	339*	42,4	243*	51,4	177*	52	144*	54
10	64	68,8	302*	52,6	222*	64,9	158*	64,3	129*	66,7

Imperial Loading Charts

Span	UDL		CPL		1/3 Point load		1/4 Point load		1/5 Point load	
ft	lbs/ft	in	lbs	in	lbs (2x)	in	lbs (3x)	in	lbs (4x)	in
6,6	295	0	1933	0	967	0	644	0	483	0
9,8	196	1	1870*	1	963	1	642	1	482	1
13,1	146	2	1510*	3	960	3	640	3	480	3
16,4	117	4	1276*	5	862*	5	638	6	478	5
19,7	97	8	1082*	7	758*	8	584*	9	467*	9
23,0	83	12	944*	10	668*	12	503*	12	406*	13
26,2	69	17	838*	13	595*	16	437*	16	357*	17
29,5	54	22	747*	17	536*	20	390*	20	317*	21
32,8	43	27	666*	21	489*	26	348*	25	284*	26

These values are usable for a lateral supported main tube. To reach full load capacity the maximum distance without lateral stabilization is: 1200,0 mm

- High values of distributed loads are idealized. Loads must be applied to node points!
- Full loading tables are available on request.

* limited by interaction of shear and moment at the connection

Displacement connection is decisive!



NH42 LADDER Truss



Heavy Duty
48.3x3 mm



NH42 LADDER

The NH42 Ladder truss is engineered from main tubes (48.3 x 3 mm) and braces (20 x 2 mm). It is our mid-sized ladder truss.

Equipped with the NC1 conical coupling system, the NH42 truss is fast and easy to assemble.

Ladder trusses can be used in a broad range of applications. They are usually used indoors for small lighting applications. For example in TV or photo studios, or to install curtains in theatre settings. Ladder Truss is also ideal for a more decorative application in a commercial environment

NH42 truss also has a series of corners and accessories.

THE ESSENTIALS

- Fast and easy assembly
- Lightweight system
- Ideal for exhibits & indoor use
- Low volume

Technical specifications

Height	387 mm	15.2 in
Width	48.3 mm	1.9 in
Size Main Tube	48.3 x 3 mm	1.9 x 0.12 in
Size Bracing	20 x 2 mm	0.78 x 0.08 in
Weight	~3.5kg/mtr	~2.4 lb/ft
Pin Position	Vertical	
Coupling System	NC1	
Alloy	EN AW 6082 T6	

Diagram





NH42 Loading charts



Metric Loading Charts

Span		UDL		CPL		1/3 Point load		1/4 Point load		1/5 Point load	
m	kg/m	mm	kg	mm	kg [2x]	mm	kg [3x]	mm	kg [4x]	mm	
2	438	0,5	876	0,8	438	0,7	292	0,7	219	0,6	
3	291	1,8	873	2,8	436	2,4	291	2,2	218	2,1	
4	217	4,2	869	6,6	435	5,6	290	5,3	217	5	
5	173	8,1	806*	12	433	11	288	10,3	216	9,8	
6	143	14,1	691*	17,9	431,8	19	287	17,7	215	16,9	
7	122	22,3	603*	24,9	426*	29,9	286	28,1	215	26,9	
8	107	33,3	530*	33	381*	40,1	279*	41	214	40,1	
9	94	47,5	474*	42,3	344*	52	247*	52	202*	54	
10	85	65,2	428*	53	311*	64,9	221*	64,3	182*	67,4	

Imperial Loading Charts

Span		UDL		CPL		1/3 Point load		1/4 Point load		1/5 Point load	
ft	lbs/ft	in	lbs	in	lbs [2x]	in	lbs [3x]	in	lbs [4x]	in	
6,6	294	0	1932	0	966	0	644	0	483	0	
9,8	196	1	1925	1	963	1	642	1	481	1	
13,1	146	2	1918	3	959	2	639	2	480	2	
16,4	116	3	1777*	5	955	4	637	4	478	4	
19,7	97	6	1523*	7	952	7	634	7	476	7	
23,0	83	9	1329*	10	939*	12	632	11	474	11	
26,2	72	13	1168*	13	840*	16	615*	16	472	16	
29,5	64	19	1045*	17	758*	20	545*	20	445*	21	
32,8	57	26	944*	21	686*	26	487*	25	401*	27	

These values are usable for a lateral supported main tube. To reach full load capacity the maximum distance without lateral stabilization is: 1100,0 mm

- High values of distributed loads are idealized. Loads must be applied to node points!
- Full loading tables are available on request.

* limited by interaction of shear and moment at the connection
Displacement connection is decisive!



NX42 LENGTHS



Productcode	Description
NX42-025	TRIANGLE NX42 LENGTH 25 CM 51X2mm
NX42-050	TRIANGLE NX42 LENGTH 50 CM 51X2mm
NX42-075	TRIANGLE NX42 LENGTH 75 CM 51X2mm
NX42-081	TRIANGLE NX42 LENGTH 81 CM 51X2mm
NX42-100	TRIANGLE NX42 LENGTH 100 CM 51X2mm
NX42-150	TRIANGLE NX42 LENGTH 150 CM 51X2mm
NX42-200	TRIANGLE NX42 LENGTH 200 CM 51X2mm
NX42-250	TRIANGLE NX42 LENGTH 250 CM 51X2mm
NX42-300	TRIANGLE NX42 LENGTH 300 CM 51X2mm
NX42-350	TRIANGLE NX42 LENGTH 350 CM 51X2mm
NX42-400	TRIANGLE NX42 LENGTH 400 CM 51X2mm

NH42 LENGTHS



Productcode	Description
NH42-025	SQUARE NH42 LENGTH 25 CM 48,3x3mm
NH42-050	SQUARE NH42 LENGTH 50 CM 48,3x3mm
NH42-075	SQUARE NH42 LENGTH 75 CM 48,3x3mm
NH42-081	SQUARE NH42 LENGTH 81 CM 48,3x3mm
NH42-100	SQUARE NH42 LENGTH 100 CM 48,3x3mm
NH42-150	SQUARE NH42 LENGTH 150 CM 48,3x3mm
NH42-200	SQUARE NH42 LENGTH 200 CM 48,3x3mm
NH42-250	SQUARE NH42 LENGTH 250 CM 48,3x3mm
NH42-300	SQUARE NH42 LENGTH 300 CM 48,3x3mm
NH42-350	SQUARE NH42 LENGTH 350 CM 48,3x3mm
NH42-400	SQUARE NH42 LENGTH 400 CM 48,3x3mm

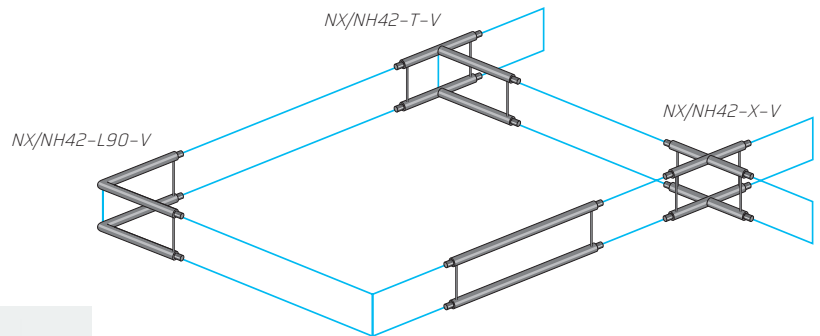
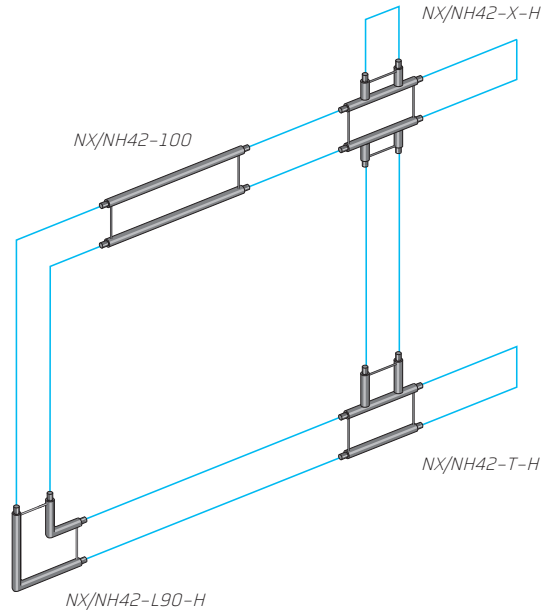


NX/NH42 Corners

In the NX/NH32 series, corner pieces are widely represented, there are many possibilities to perfectly connect the NX/NH32 corner collection with the straight elements. Let your creativity run wild because these corner pieces offer endless

possibilities. The NX/NH32 series allows a wide variety of structural shapes up to three levels by using corners, crosspieces, T and X-pieces.

Productcode	Size in cm
NX/NH42-L45-H	120x120
NX/NH42-L45-V	100x100
NX/NH42-L60-H	100x100
NX/NH42-L60-V	100x100
NX/NH42-L90-H	60x60
NX/NH42-L90-V	60x60
NX/NH42-L120-H	60x60
NX/NH42-L120-V	60x60
NX/NH42-L135-H	60x60
NX/NH42-L135-V	60x60
NX/NH42-T-H	81x60
NX/NH42-T-V	115x60
NX/NH42-X-H	81x81
NX/NH42-X-V	115x115



BOX-42 Box corner

Box corner NX/NH42



The Box Corners from NEXT Truss for the 42 series enable you to create corners up to 4 ways in configurations of 90-degree angles. To create these configurations attachments can be screwed onto the box corner using bolts. These connections are available in various sizes and types, depending on what kind of angle needs to be made.

Technical specifications	
Height	389 mm
Width	50 mm
Size Main Tube	50 x 3,5 mm
Weight	1,4 kg
Pin Position	Vertical
Coupling System	NC1
Bolt size	M12
Alloy	EN AW 6082 T6

BOX Attachments	
Productcode	Description
BOX-SCON-ST	STEEL HALF COUPLER HOLE/M12 FOR BOX CORNERS
NC1-BOB75	FEMALE COUPLER 12MM HOLE L=75mm
NC1-BOB105	FEMALE COUPLER 12MM HOLE L=105mm

All corners are shown without bracing to improve indication of direction.